

RATIONALE

AS4658 HAS BEEN REAFFIRMED TO COMPLY WITH THE SAE FIVE-YEAR REVIEW POLICY.

SAE AS4658

SAE Technical Standards Board Rules provide that: "This report is published by SAE to advance the state of technical and engineering sciences. The use of this report is entirely voluntary, and its applicability and suitability for any particular use, including any patent infringement arising therefrom, is the sole responsibility of the user." SAE reviews each technical report at least every five years at which time it may be revised, reaffirmed, stabilized, or cancelled. SAE invites your written comments and suggestions.

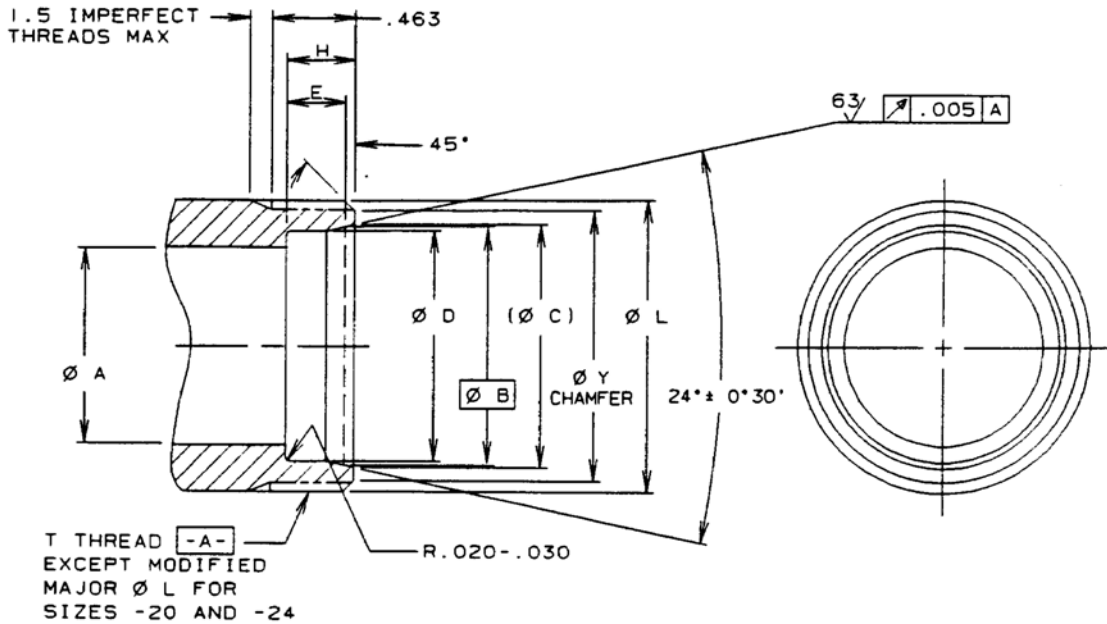


FIGURE 1 - FITTING END DESIGN, STYLE G

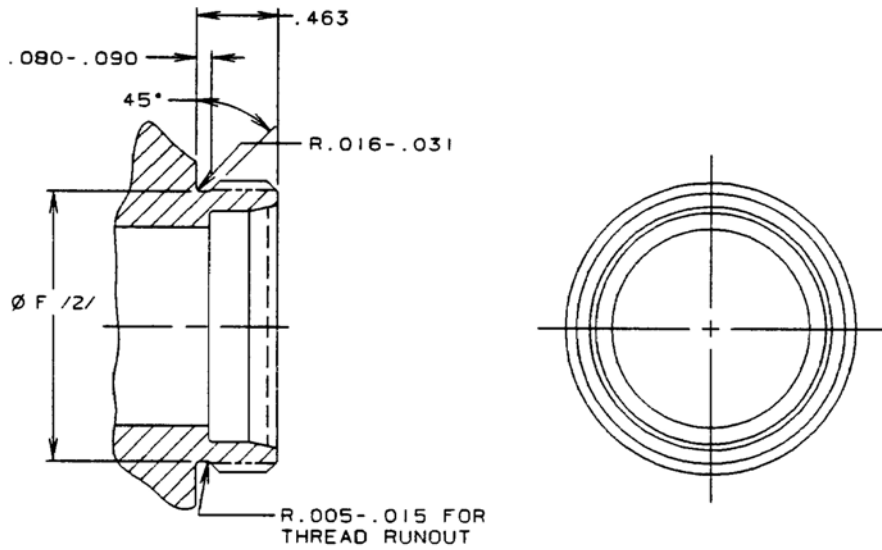
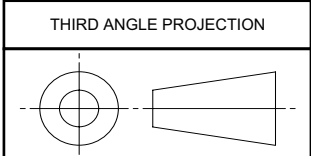


FIGURE 2 - FITTING END DESIGN, STYLE E
SAME AS STYLE G EXCEPT AS SHOWN

SAE values your input. To provide feedback on this Technical Report, please visit <http://www.sae.org/technical/standards/AS4658>



CUSTODIAN: G-3/G-3B

SAE Aerospace
An SAE International Group

AEROSPACE STANDARD

FITTING END, EXTERNAL THREAD,
SHORT FLARELESS, DESIGN STANDARD

SAE AS4658
SHEET 1 OF 2

ISSUED 1992-04 REAFFIRMED 2013-01